



BKR2100

3G/2.1 GHz Multiposition Antenna

Features

- ◆ Groundplane Independent
- ◆ External Mount Antenna
- ◆ Fixes in three positions
- ◆ Ideal for fixed terminals

Specifications

Radiating element	1/2 Wave Dipole
Frequency range	1.9 -2.17 GHz
Peak gain	2 dBi
Polarisation	Linear
Return loss	-12 dB
Power rating	10W
Cable / Connector	SMA-Male
Dimensions	139 x 13mm (max)

Ordering Options

FBKR35092-SM-KR	BKR2100 with SMA Connector
-----------------	----------------------------

Specifications subject to change without notice.

5 Little Balmer
Buckingham Industrial Park
Buckingham
MK18 1HJ
UK

Tel: +44 (0)1280 824055
Fax: +44 (0)1280 817179
Email: sales@ead-ltd.com
Web: www.ead-ltd.com

EAD
embedded antenna design ltd

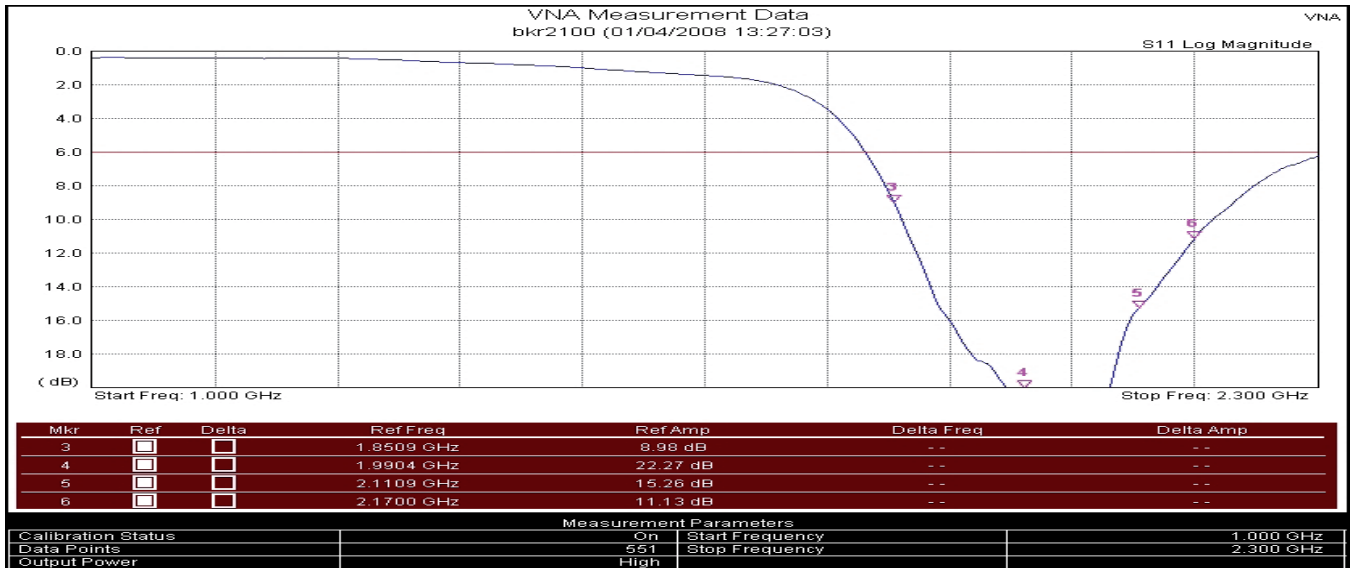
Delivering Antenna Innovation

4Gon www.4Gon.co.uk info@4gon.co.uk Tel: +44 (0)1245 808295 Fax: +44 (0)1245 808299

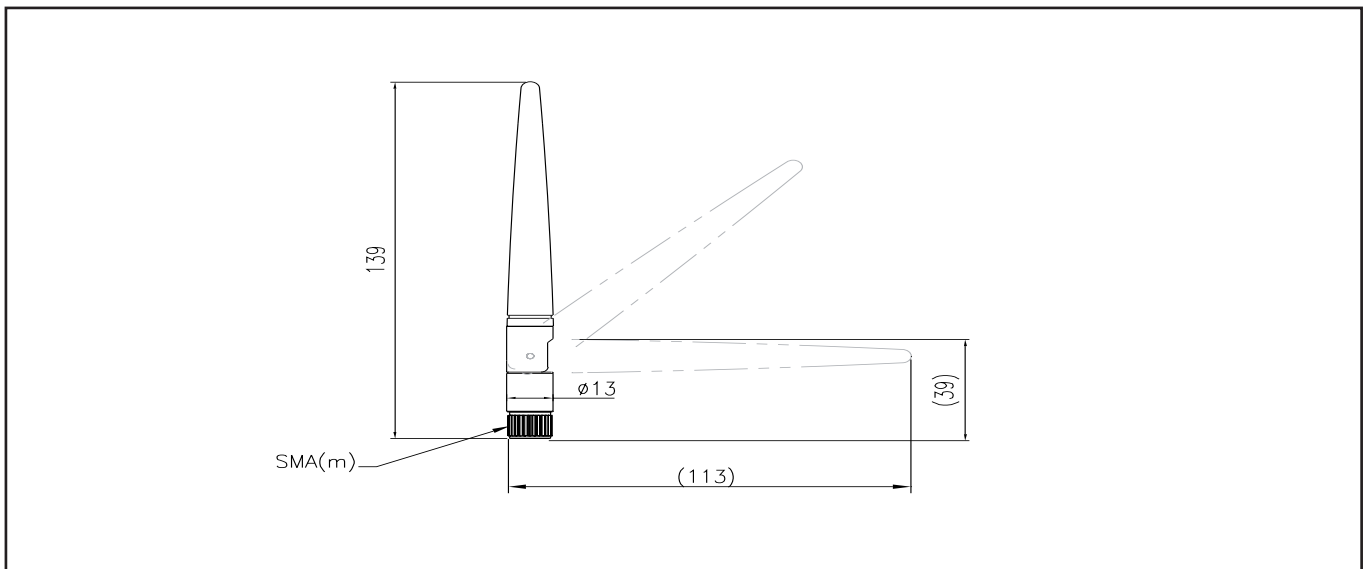


BKR2100 | 2.1 GHz Multi-position Antenna

Return Loss



Outline Drawing



Specifications subject to change without notice.

5 Little Balmer
Buckingham Industrial Park
Buckingham
MK18 1HJ
UK

Tel: +44 (0)1280 824055
Fax: +44 (0)1280 817179
Email: sales@ead-ltd.com
Web: www.ead-ltd.com

EAD
embedded antenna design Ltd
Delivering Antenna Innovation