

QuMax for RUTX10

INTEGRATED OUTDOOR WI-FI DUAL BAND 2.4 & 5 GHZ SECTOR ANTENNA + BLUETOOTH SECTOR ANTENNA + PLACE TO INSTALL TELTONIKA RUTX10 (ALL-IN-ONE)

QuMAX offers the most powerful Wi-Fi dual band 2.4 & 5 GHz sector antenna of all QuWireless antennas. It is dedicated to hotspots and fixed networks base stations with big coverage. It is designed to have Teltonika RUTx10 router installed inside IP67 enclosure. It is the first choice for fixed installations in industrial environment. It has embedded also Bluetooth sector antenna.



OUTDOOR

Use Teltonika router wherever you want

ANTENNA

Maximize your signal with QuWireless antennas

SOLUTION

Plug Teltonika router and you are good to go

WI-FI SPECIFICATION

FREQUENCY	2.40-2.50 GHz 4.70 - 6.00 GHz
GAIN	6 dBi 7 dBi
VSWR	<1.70, max <2.00 <1.70, max <2.00
BEAMWIDTH	360°/25° +/- 5° 360°/25° +/- 5°
POLARIZATION	Vertical
IMPEDANCE	50 Ω

MECHANICAL SPECIFICATION

MATERIALS	ABS, aluminum, PTFE, Fiberglass
INGRESS PROTECTION	IP67
DIMENSIONS	272 x 276 x 96 mm 10.71 x 10.87 x 3.78 inch
WEIGHT	1.8 kg 3.97 lbs
OPERATING TEMPERATURE	From -40°C to 75°C From -40°F to 167°F

DEVICE SPECIFICATION



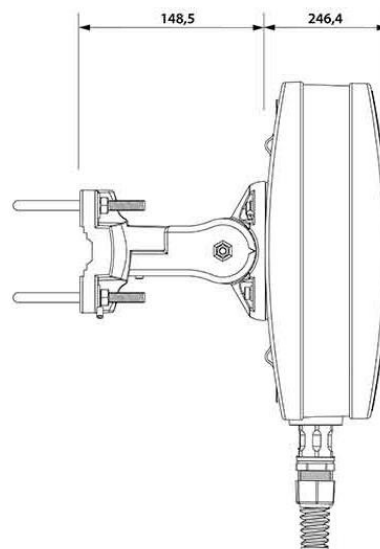
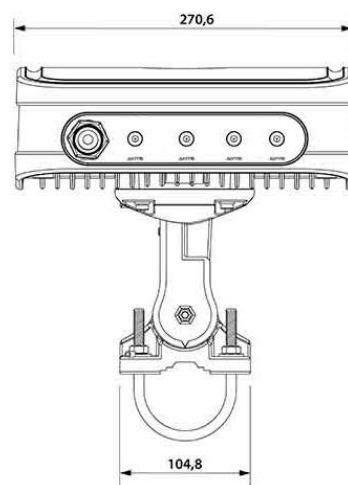
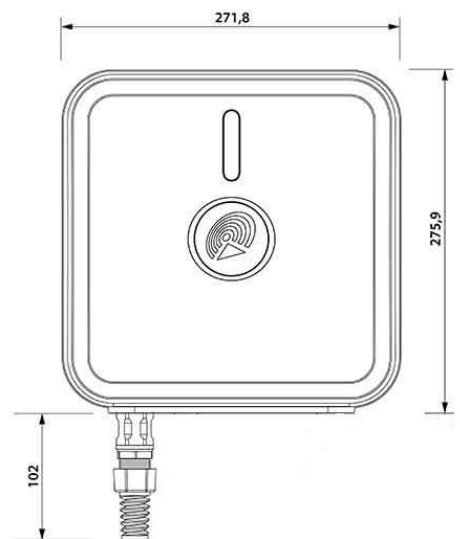
Next-Generation Teltonika Enterprise router, equipped with the Dual Band WiFi 5 802.11ac and a Bluetooth LE module. Perfect for Small office or Public sector applications. High speed WiFi connectivity allows companies to transition into all-wireless office settings.

[RUTX10 Datasheet](#)

[RUTX10 User Manual](#)

[RUTX10 Quick Start Guide](#)

DIMENSIONS



HEADQUARTER:

Wireless Instruments sp. z o.o.

ul. Kościuszki 27

52-116 Iwiny

POLAND

sales@quwireless.com

tel 1. +48 601 366 369

tel 2. +48 577 667 761

www.quwireless.com