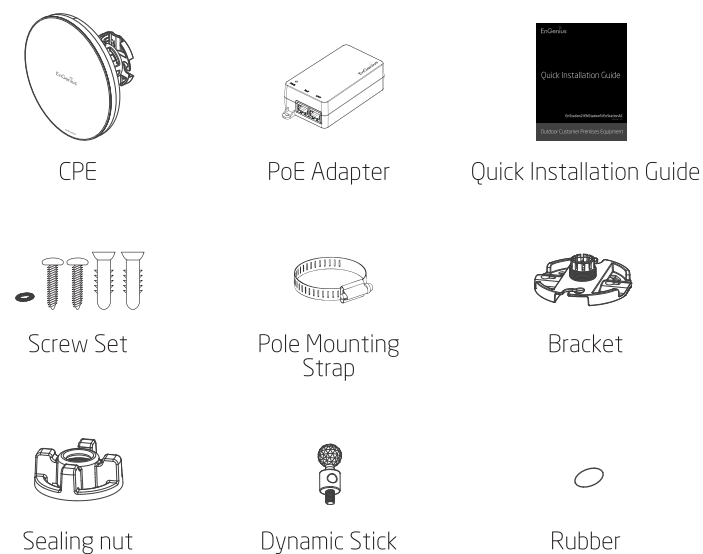


Quick Installation Guide

EnStation2
EnStation5
EnStationAC
EnStation5-AC
Version 1.2

Outdoor Customer Premises Equipment

Package Contents



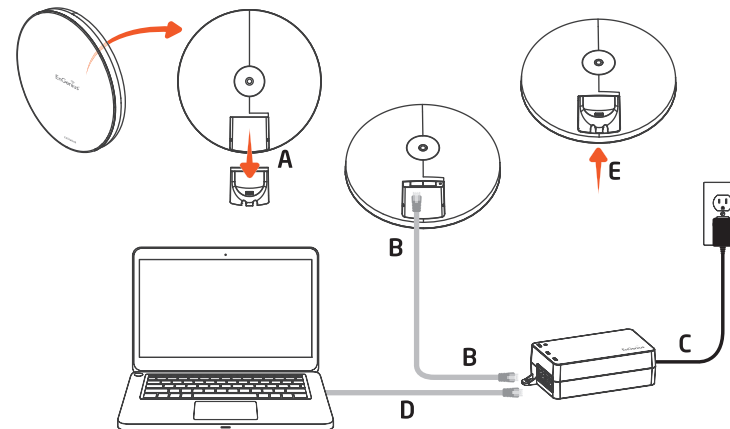
Minimum Requirements

- + Broadband Internet Service (Cable or DSL Modem)
- + Internet Browser (Internet Explorer, Safari, Firefox, Chrome)

1 Connecting the CPE

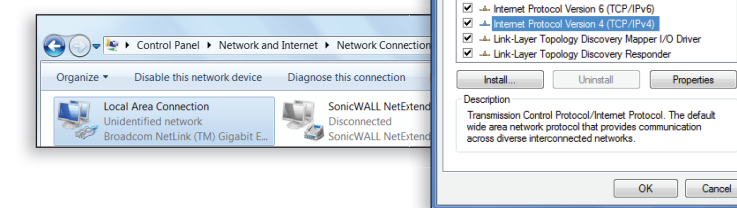
- Remove the rear bottom panel.
- Connect one end of the Ethernet cable into the LAN(PoE) port of the CPE and the other end to the PoE Port on the PoE Adapter.
- Connect the Power cord to the PoE Adapter and plug the other end into an electrical outlet.
- Connect the second Ethernet cable into the LAN port of the PoE Adapter and the other end to the Ethernet Port onto the computer.
- Place the panel removed from step A back into the device.

Note:
+ The EnStations should ONLY be powered via Ethernet cable connected to included Proprietary PoE Adapter.
+ For EnStation AC: The 2nd Ethernet port of the EnStationAC can supply the 802.3af power source when used with the included PoE Adapter.



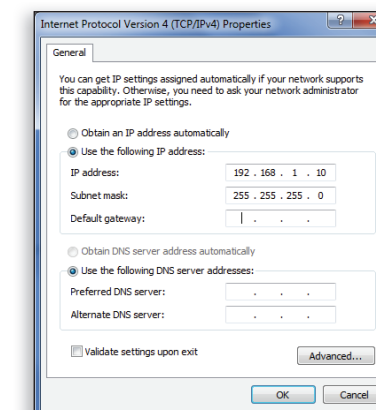
2 IP Address Configuration

- Once your computer is on, ensure that your TCP/IP is set to **On** or **Enabled**. Open **Network Connections** and then click **Local Area Connection**. Select **Internet Protocol Version 4 (TCP/IPv4)**.



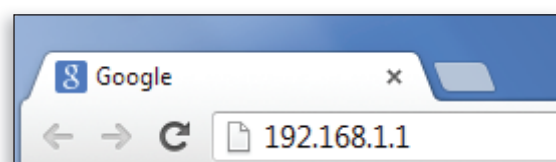
- If your Computer is already on a network, ensure that you have set it to a **Static IP Address** on the interface.

(Example: 192.168.1.10 and the Subnet Mask address as 255.255.255.0)

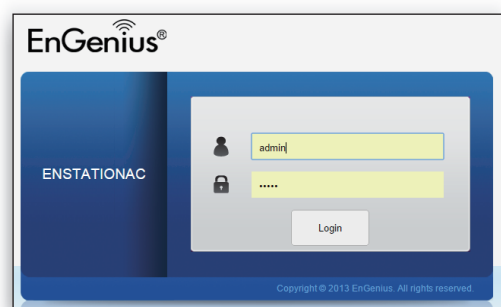


3 CPE Setup

- To configure the CPE, open a web browser. In the address bar of the web browser, enter **192.168.1.1** and hit enter.



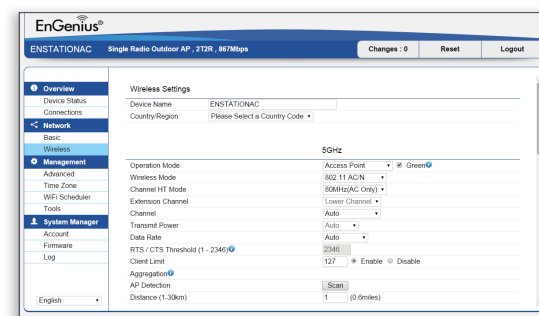
- A login screen will appear. By default, the username of the CPE is **admin** and the password is **admin**. Enter the current username and password of the CPE and then click **Login**.



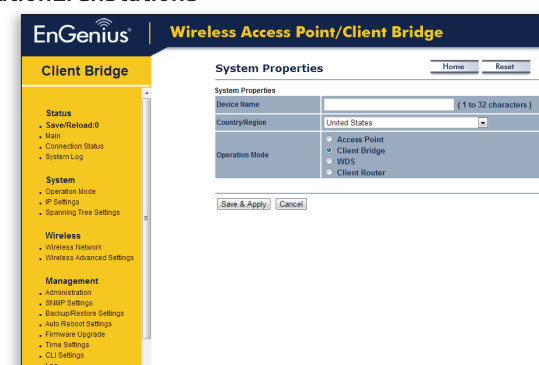
4 Switching Modes

- The device can operate in the following modes: Access Point, Client Bridge and WDS.
- Click on the **Operation Mode** link under the **System Properties**.

EnStationAC/EnStation5-AC

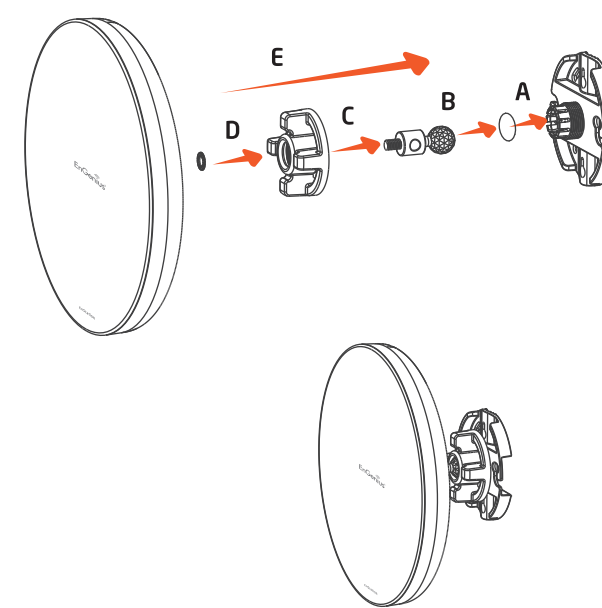


EnStation2/EnStation5

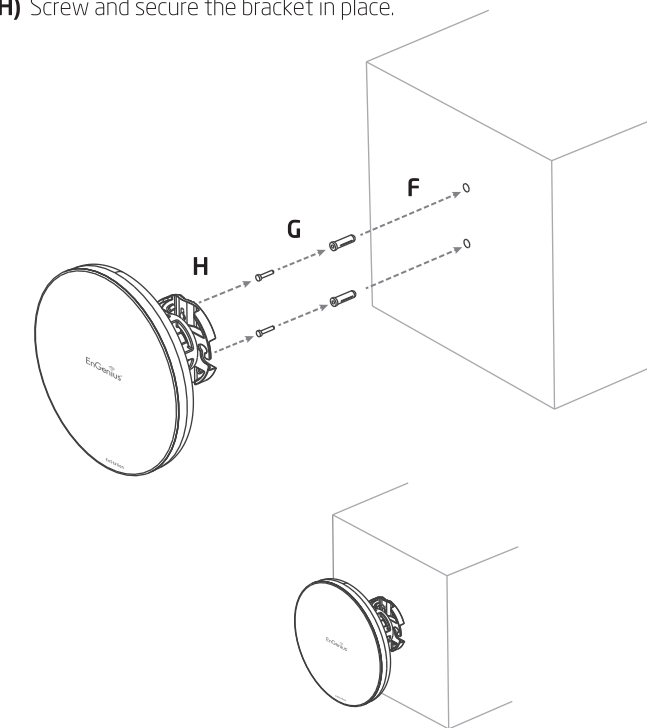


Wall Mounting the CPE

- Put the included rubber into the bracket.
- Plug the dynamic stick into the bracket.
- Screw the sealing nut and assembled parts, as well as tighten it.
- Put the nock washer on the dynamic stick.
- Assemble the mounting parts to the CPE.

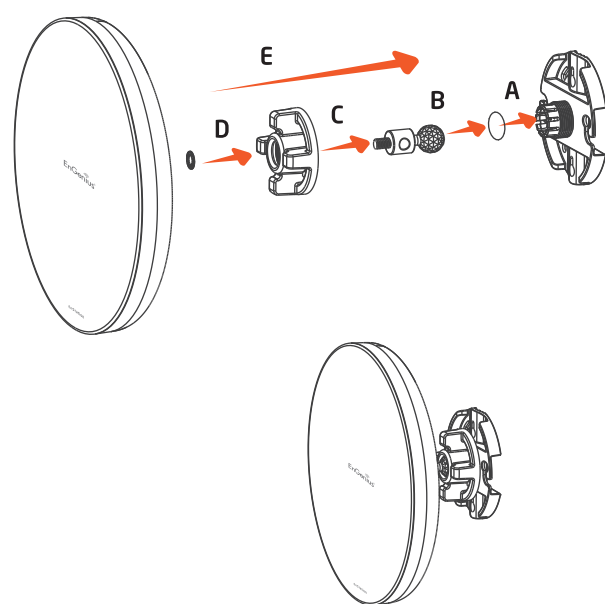


- Determine the mounting location. Mark and drill two pilot holes aligning to the screw holes of the bracket.
- Put wall anchors into the holes and insert screw into the wall anchor.
- Screw and secure the bracket in place.

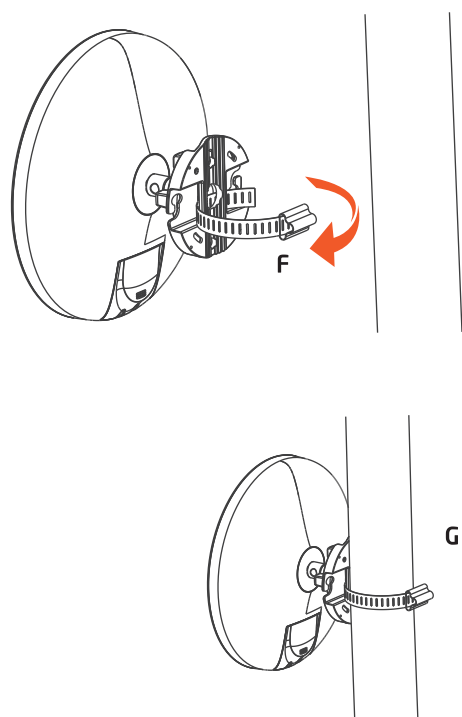


Pole Mounting the CPE

- Put the included rubber into the bracket.
- Plug the dynamic stick into the bracket.
- Screw the sealing nut and assembled parts, as well as tighten it.
- Put the nock washer on the dynamic stick.
- Assemble the mounting parts to the CPE.



- Thread the open end of the pole strap through the two tabs on the bracket.
- Lock and tighten pole strap to secure bracket to the pole.



Technical Support

Country of Purchase	Service Center	Service Information
North America www.engeniustech.com	Canada	rma@engeniustech.com Toll Free: (+1) 888 397 2788 Local: (+1) 905 940 8181
	Los Angeles, USA	support@engeniustech.com Toll Free: (+1) 888 735 7888 Local: (+1) 714 432 8668
Central & South America es.engeniustech.com pg.engeniustech.com	Miami, USA	miamisupport@engeniustech.com Miami: (+1) 305 887 7378 Sao Paulo, Brazil: (+55) 11 3957 0303 D.F. Mexico: (+52) 55 1163 8894
	Netherlands	support@engeniustech.com (+31) 40 8200 887
Africa CIS Middle East Russia www.engeniustech.com	Dubai, UAE	support@engeniustech.com Toll Free: U.A.E: 800-EnGenius 800-364-364-87 General: (+971) 4 357 5599
	Singapore	www.engeniustech.com.sg/e_warranty_form techsupport@engeniustech.com.sg Toll Free: Singapore: 1800 364 3648
Others www.engeniustech.com	Taiwan, R.O.C.	technology@sena.com

Notes

Maximum data rates are based on IEEE 802.11 standards. Actual throughput and range may vary depending on many factors including environmental conditions, distance between devices, radio interference in the operating environment, and mix of devices in the network. Features and specifications subject to change without notice. Trademarks and registered trademarks are the property of their respective owners. For United States of America: Copyright © 2017 EnGenius Technologies, Inc. All rights reserved.