

AggregatorTAP: Copper High Density

1G | Aggregation & Regeneration | Data Diode



*1U Rack mount kit included

Network test access points (TAPs) are hardware tools that allow you to access and monitor your network. TAPs are purpose-built hardware devices that let you see every bit, byte and packet.®

AggregatorTAPs are used to capture 100% full duplex traffic that can then be sent to multiple monitoring appliances to analyze your network. AggregatorTAPs supports aggregation and regeneration/SPAN modes, providing flexibility to manage your network.

Garland Technology's unique Data Diode design provides a unidirectional path to the monitoring ports of the AggregatorTAP. This ensures no Ethernet packets can be sent to the Live Network TAP Ports or SPAN Ports. We help AirGap your network monitoring and security tools from your live network. Don't let your monitoring or security tools become a hackers point of entry. Data Diodes eliminate the risk for data flowing back into the network, to guarantee information security or protection of critical digital systems.

Key Features •








- 1U High Density Solution
 - TAP up to 4 network segments and aggregate traffic to 1 or 2 monitoring ports
 - Aggregate up to 8 SPAN Ports to 1 or 2 monitoring ports
- Link Speed Synchronization
- Link Failure Propagation (LFP)
- Supports aggregation, regeneration/SPAN modes
- Unidirectional circuitry design, provides a physically secure one-way communication path to the monitoring ports
- Supports jumbo frames
- Passes physical errors
- Dual internal AC or DC power supplies
- 100% secure and invisible; no IP address, no MAC address; cannot be hacked
- Made, tested and certified in USA

APPLICATIONS:

- Capture full duplex traffic from both directions.
- Aggregate the same four links to other monitoring port on different appliance.
- Aggregate eight SPAN links to other monitoring port on different appliance.

SOLUTIONS:

Aggregation TAPs are ideal for:

-  Wireshark
-  Analyzers
-  Intrusion Detection System
-  Application Performance Monitoring
-  Lawful Intercept
-  Packet Capture
-  Data Forensics

Competitive Edge

- High density design
- Unidirectional circuitry design
- Design supports aggregation, regeneration/SPAN modes.
- Tested and Certified.



Have Questions?

sales@garlandtechnology.com
+716.242.8500
garlandtechnology.com

AggregatorTAP: Copper High Density

1G | Aggregation & Regeneration | Data Diode

Model #	Network Speed	Media		Modes			Power
		Network	Monitor	Breakout	Aggregation	Regeneration	
1U Rack Mount Kit included - Holds 2 INT1G10CSA							
INT1G10CSA	10/100/1000M	4 Copper - RJ-45 (pair)	2 SFP	Yes	Yes	Yes	AC
INT1G10CSA-DC	10/100/1000M	4 Copper - RJ-45 (pair)	2 SFP	Yes	Yes	Yes	DC
INT1G10CSASP	10/100/1000M	8 Copper - RJ-45	2 SFP	No	Yes	Yes	AC
INT1G10CSASPDC	10/100/1000M	8 Copper - RJ-45	2 SFP	No	Yes	Yes	DC

Additional Specifications

Pluggables & Cables:	
Model #	Description
SFPTX	SFP 10/100/1000 Copper RJ-45 Connector
SFPSX	SFP 1000Base-SX Multi-Mode Fiber LC Connector
SFPLX	SFP 1000Base-LX Single Mode Fiber LC Connector

Dimensions (HxWxD): 1.75" x 8.35" x 17.3" (44.45mm x 212.10mm x 439.42mm)

Weight: 4.0 lbs (1.81 kg)

Ambient Temperature: 0°C to 40°C (32°F to 104°F)

Storage Temperature: -20°C to 70°C (-4°F to +158°F)

Voltage: 90 AC - 264 AC

Current (nominal): 1.8 Amps at 115 AC

Maximum consumption:

Humidity: 90% non-condensing

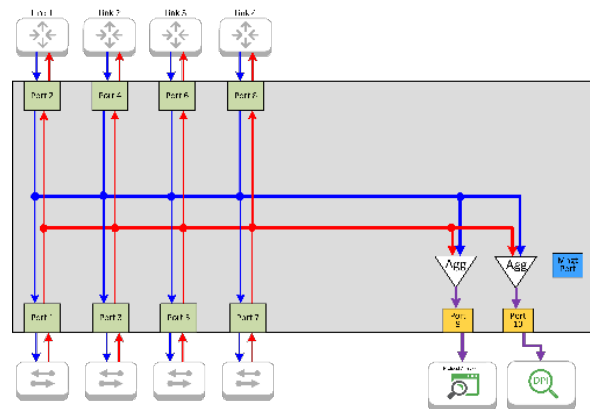
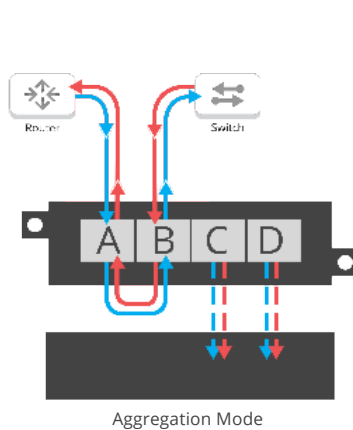
Safety Note:

Earth ground must be supplied through the AC power cord. Allow sufficient space in the mounting rack to remove the power cord for disconnection.

This unit has redundant power supplies. Please disconnect both power supplies before servicing.

Network Flow

How Aggregation works



Aggregate the eastbound traffic and Aggregate the westbound traffic. Next aggregate the eastbound traffic with the westbound traffic and send to ports 9 and 10.



This document is for informational purposes only. The information in this document, believed by Garland Technology to be accurate as of the date of publication, is subject to change without notice. Garland Technology assumes no responsibility for any errors or omissions in this document and shall have no obligation to you as a result of having made this document available to you or based upon the information it contains. ©2020 Garland Technology LLC. All Rights Reserved.