

Symmetrical Horn Antenna CC



CONNECTORIZED SYMMETRICAL HORN Gen2 ANTENNA

HG3-CC-S30, HG3-CC-S40, HG3-CC-S50, HG3-CC-S60,
HG3-CC-S70, HG3-CC-S80, HG3-CC-S90,



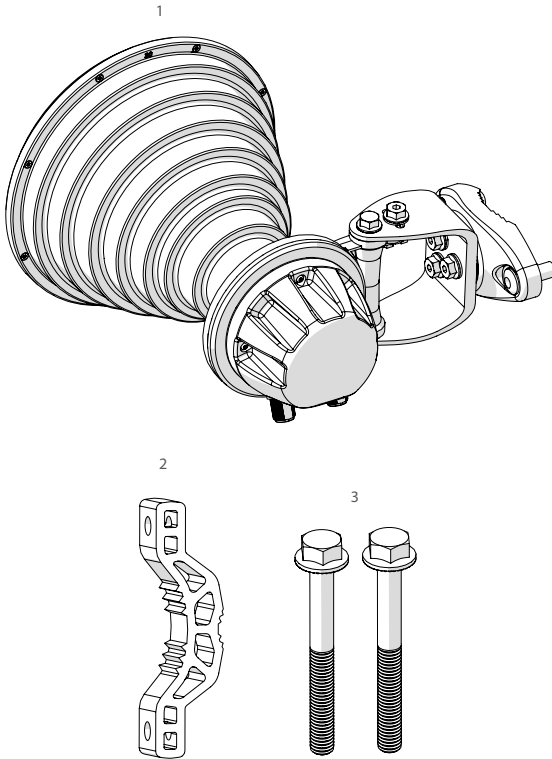
Symmetrical Horn Gen2 SH-CC

Overview

	Product ID	Dimensions	Weight	Frequency Range	Gain	Polarization
30° Horn SH-CC Gen2 5-30	HG3-CC-S30	305x300x216 mm	2.3 Kg 5.1 lbs	5180 - 6100 MHz	18.5 dBi	Dual Linear H + V
40° Horn SH-CC Gen2 5-40	HG3-CC-S40	305x240x216 mm	2.2 Kg 4.8 lb	5180 - 6100 MHz	16.2 dBi	Dual Linear H + V
50° Horn SH-CC Gen2 5-50	HG3-CC-S50	273x180x151 mm	1.7 Kg 3.7 lbs	5180 - 6100 MHz	14.3 dBi	Dual Linear H + V
60° Horn SH-CC Gen2 5-60	HG3-CC-S60	273x178x151 mm	1.6 Kg 3.5 lbs	5180 - 6100 MHz	13.2 dBi	Dual Linear H + V
70° Horn SH-CC Gen2 5-70	HG3-CC-S70	273x162x151 mm	1.6 Kg 3.5 lbs	5180 - 6100 MHz	11.5 dBi	Dual Linear H + V
80° Horn SH-CC Gen2 5-80	HG3-CC-S80	273x159x151 mm	1.6 Kg 3.5 lbs	5180 - 6100 MHz	10.4 dBi	Dual Linear H + V
90° Horn SH-CC Gen2 5-90	HG3-CC-S90	273x156x151 mm	1.6 Kg 3.5 lbs	5180 - 6100 MHz	10 dBi	Dual Linear H + V

Symmetrical Horn Gen2 SH-CC

Package Contents

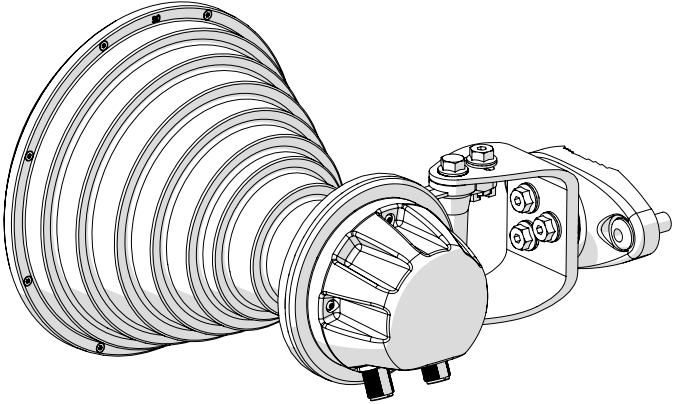


Number	Decsription	Quantity
1	SH-CC Body	1x
2	SH-CC Bracket	1x
3	M8 x 75mm Screw	2x

Symmetrical Horn Gen2 SH-CC Step 1

Pre - Installation

The antenna is pre-assembled for installation on the left side of the pole.
If you need to swap to use the right side of the pole, see Step 5.

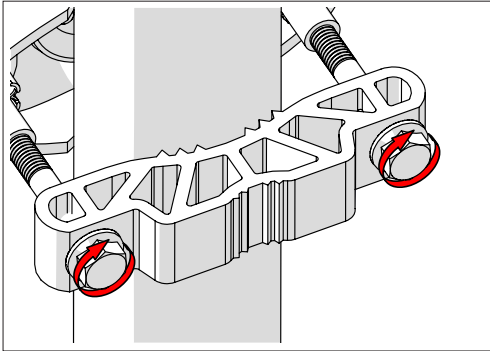
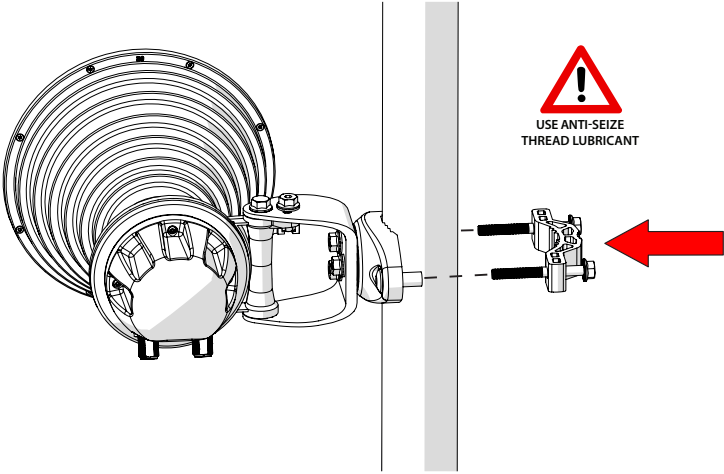


Model HG3-CC-S30 shown. Installation instructions are identical for other Symmetrical Horn models. Antenna dimensions may differ.

Symmetrical Horn Gen2 SH-CC

Step 2

Pole Installation

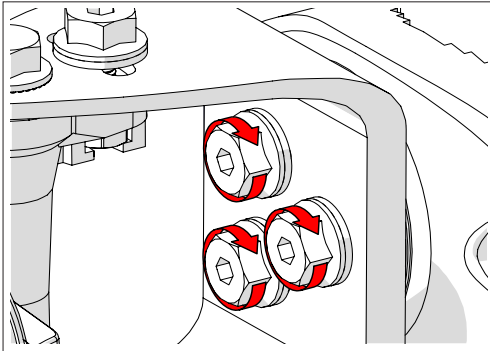
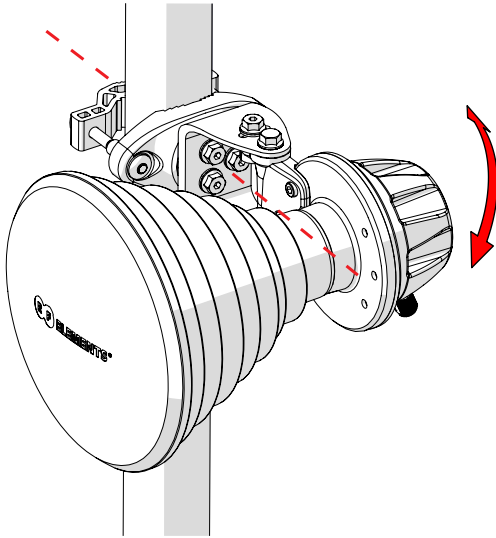


Model HG3-CC-S30 shown. Installation instructions are identical for other Symmetrical Horn models. Antenna dimensions may differ.

Symmetrical Horn Gen2 SH-CC

Step 3

Installation Guide

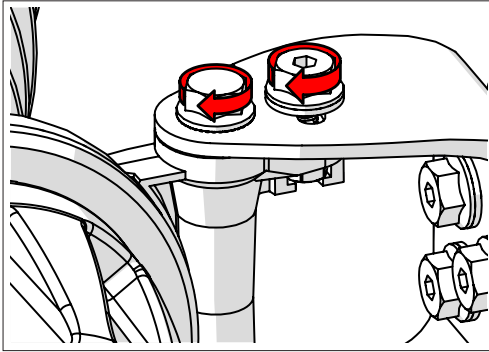
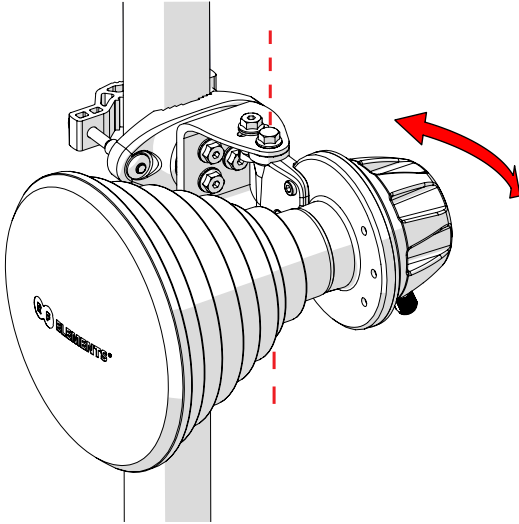


Model HG3-CC-S30 shown. Installation instructions are identical for other Symmetrical Horn models. Antenna dimensions may differ.

Symmetrical Horn Gen2 SH-CC

Step 4

Installation Guide



Model HG3-CC-S30 shown. Installation instructions are identical for other Symmetrical Horn models. Antenna dimensions may differ.

Symmetrical Horn Gen2 SH-CC

Pre - Installation Guide

OPTIONAL:

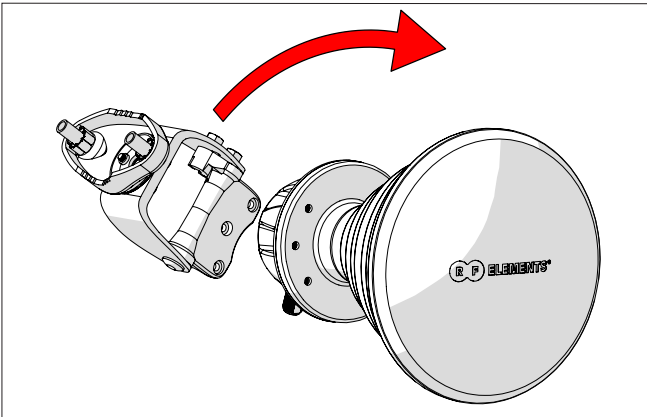
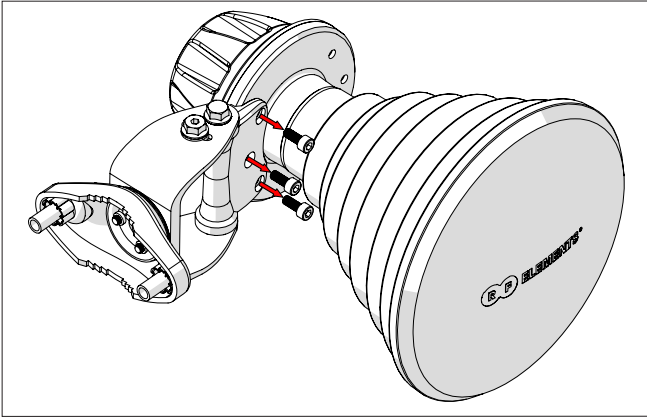
Swapping right or left sided pole mount
(Steps 5 and 6)

Symmetrical Horn Gen2 SH-CC

Step 5

Pre - Installation

Optional: Right side of the pole mounting.



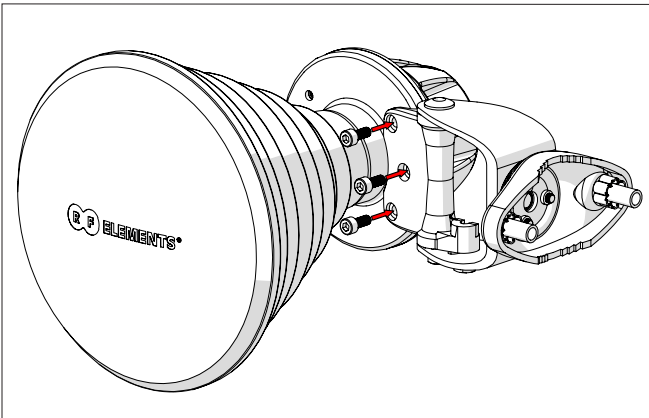
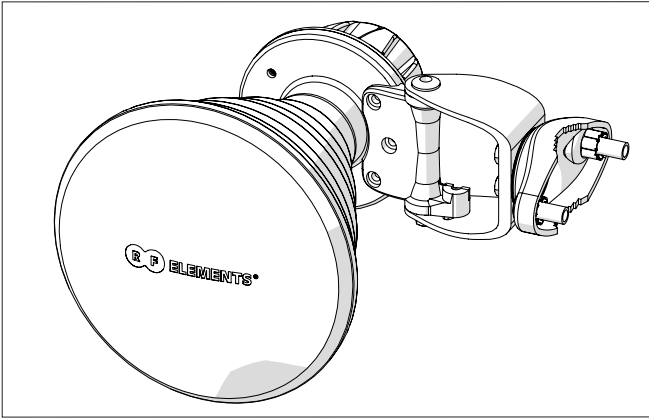
Model HG3-CC-S30 shown. Installation instructions are identical for other Symmetrical Horn models. Antenna dimensions may differ.

Symmetrical Horn Gen2 SH-CC

Step 6

Pre - Installation

Optional: Right side of the pole mounting.



Model HG3-CC-S30 shown. Installation instructions are identical for other Symmetrical Horn models. Antenna dimensions may differ.



RF elements s.r.o.
Phone: +421 2 3260 3711
info@rfelements.com
www.rfelements.com