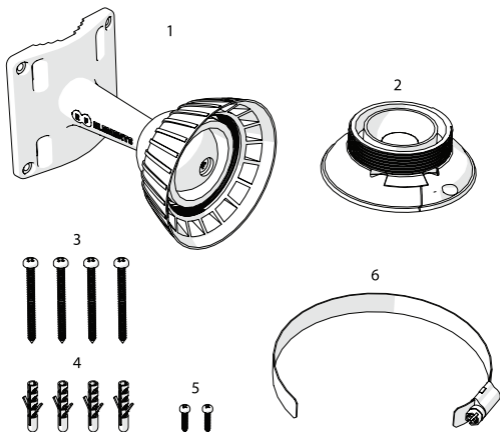


# **NanoBracket**® SXT 2.0

BRACKET FOR ROUTERBOARD™ SXT

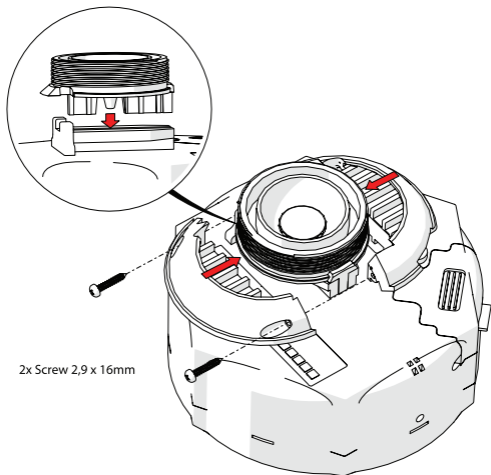


## Package Contents

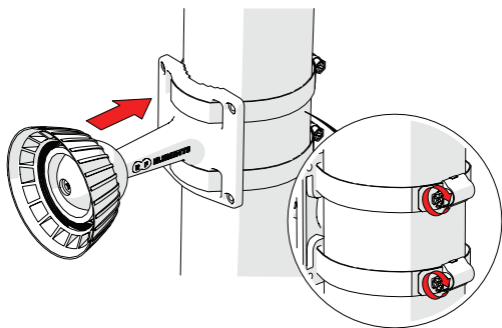


Number	Description	Quantity
1	NB SXT 2 Body 1	1x
2	NB SXT 2 Body 2	1x
3	3,5 x 45mm Screw	4x
4	Wall Plug	4x
5	2,9 x 16mm Screw	2x
6	Hose Clamp	1x

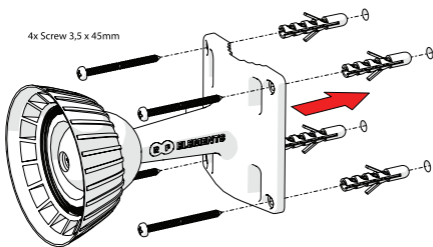
## Installation Guide



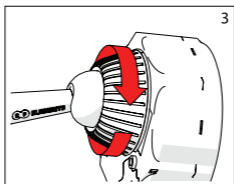
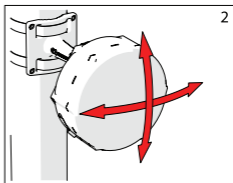
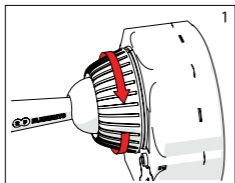
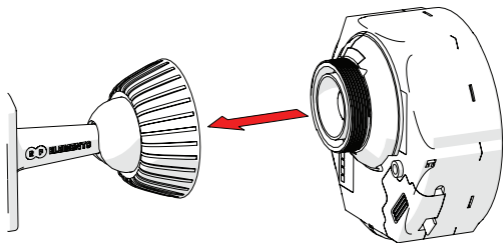
## Installation on a Pole



## Installation on Wall



## Installation Guide



MikroTik™ and RouterBoard™ are trademarks of MikroTik,  
Aizkraukles iela 23, Rīga, LV-1006 Latvia  
RF elements® and NanoBracket® are trademarks  
of RF elements s.r.o., Humenne, Slovakia.  
All rights of trademark owners reserved.



RF elements s.r.o.  
Phone: +421 2 3260 3711  
info@rfelements.com  
[www.rfelements.com](http://www.rfelements.com)