

MIMO-BLADE

LTE/Multiband MIMO Blade Antenna

Features

- ◆ LTE/4G 2 Port Antenna
- ◆ Fully Waterproof - IP67 Compliant
- ◆ Install on window, dash or non-metal bodywork
- ◆ Comes with two suction cups for mounting

Specifications

	Element 1	Element 2
Frequency range	690-960 / 1710-2170 / 2500-2700 MHz	690-960 / 1710-2170 / 2500-2700 MHz
Peak Gain	2 dBi	2 dBi
Polarisation	Linear	Linear
Impedance	50 Ohm	50 Ohm
VSWR	<2.5:1	<2.5:1
Power rating	10W	10W
Operating Temp.		-40 to +70 degrees C
Cable / Connector		2 x 50cm RG174 - SMA, TS9, CRC, FME
Ingress Protection Level		IP67 Compliant
Dimensions		184 x 84mm (hxd) max.

Popular Ordering Options

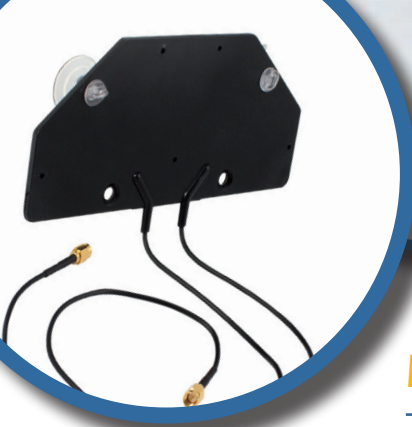
FMMB35345-SMSM-1K	MIMO-Blade antenna with 2 x 1M RG174 and SMA
FMMB35345-TSXTSX-1K	MIMO-Blade antenna with 2 x 1M RG174 and TS9

Specifications subject to change without notice.

5 Little Balmer
Buckingham Industrial Park
Buckingham
MK18 1TF
UK

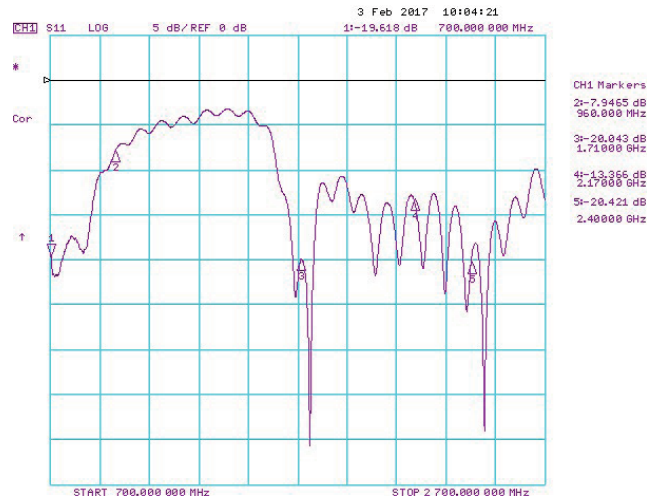
Tel: +44 (0)1280 824055
Fax: +44 (0)1280 817179
Email: sales@ead-ltd.com
Web: www.ead-ltd.com

EAD
embedded antenna design ltd
Delivering Antenna Innovation

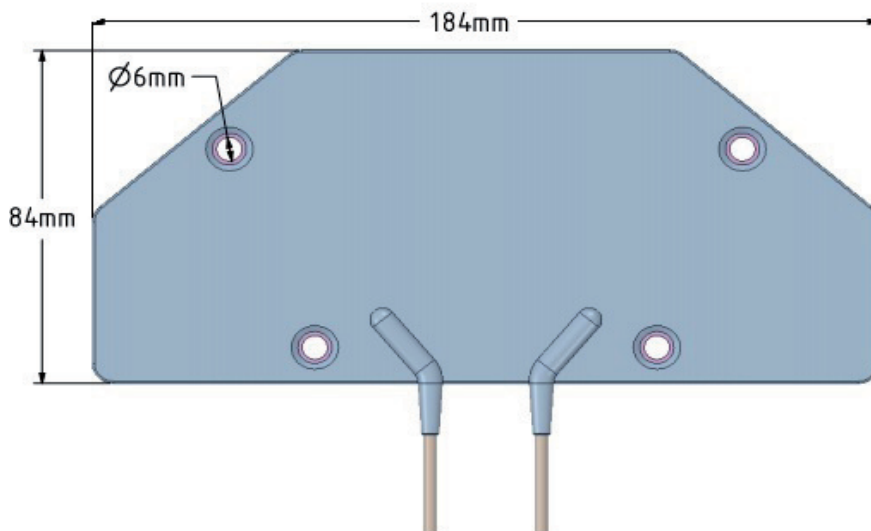


MIMO-BLADE | LTE Multiband MIMO Blade Antenna

Return Loss



Outline Drawing



Specifications subject to change without notice.

5 Little Balmer
Buckingham Industrial Park
Buckingham
MK18 1TF
UK

Tel: +44 (0)1280 824055
Fax: +44 (0)1280 817179
Email: sales@ead-ltd.com
Web: www.ead-ltd.com