

TwistPort™ Adaptor for RouterBoard RBC

ADAPTOR FOR RB M11, 9XX, 7XX, 4XX SERIES BOARDS

TPA-RBC makes the RouterBoard™ M11 series, 9 series, 7 series and 4 series compatible with all TwistPort™ Antennas. TwistPort™ Adaptors are equipped with our proprietary quick-locking waveguide port. TPA-RBC is made of cast aluminium and provides premium protection for MikroTik™ RouterBoard.



TECHNICAL DATA

Antenna Connection	TwistPort - Quick Locking Waveguide Port
Materials	Insert - Aluminium Alloy Body - Aluminium Alloy
Radio Connection	2x Right Angle MMCX
Temperature	-40°C to +60°C (-40°F to +140°F)
Wind Survival	160 km/h
Weight	0.55 Kg / 1.2 lbs – single unit 0.74 Kg / 1.6 lbs – single unit incl. package 15.8 Kg / 34.8 lbs – carton (20 units)
Single Unit	Retail Box: 19.2 x 17.7 x 9.0 cm
20 Units	Carton Box: 92.0 x 38.0 x 22.0 cm

PERFORMANCE

Frequency Range	5180 - 6400 MHz
Polarization	Dual Linear H + V
VSWR Max	1.8
Impedance	50 Ohm

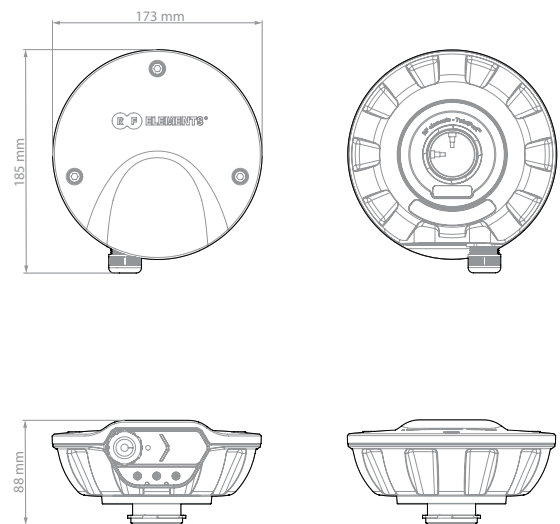
COMPATIBLE WIRELESS PLATFORMS

RF elements®	any TwistPort™ Antenna
MikroTik™	RouterBoard™ RB91x, RB92x, RB71x, RB411L*, RBM11G

PACKAGE CONTENTS

- TwistPort™ Adaptor
- Screw M3x8mm (2 pcs)
- Blind Plate

PRODUCT DIMENSIONS



* Ensure the radio module size fits.

TwistPort™ Adaptor Rev OCT-2018

RF elements® and TwistPort™ are trademarks of RF elements s.r.o., Humenne, Slovakia.
All rights of respective trademark owners reserved.
© RF elements 2018