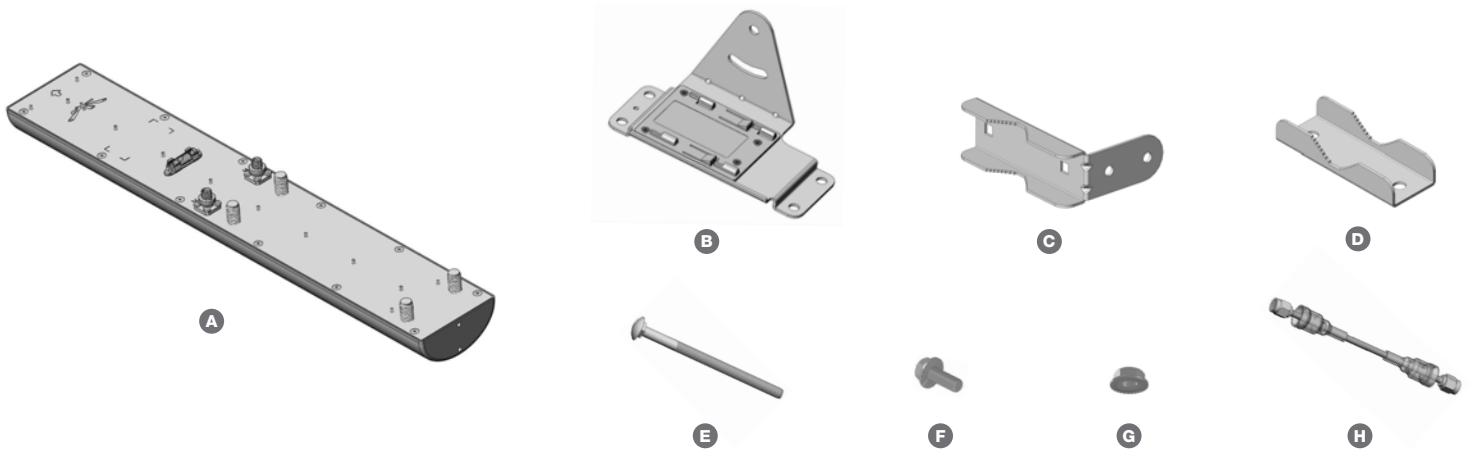


# Installation Guide

## AirMax BaseStation/Mimo Sector Antenna



Contents	Qty.		Qty.
<b>A</b> Sector Antenna	1	<b>C</b> Pole L Bracket	1
<b>B</b> Antenna L Bracket with Rocket Fast Mount*	1	<b>D</b> Pole Bracket	1
		<b>E</b> M8X120 Carriage Bolt	2
		<b>F</b> M8X20 Serrated Flange Bolt	2
		<b>G</b> M8 Serrated Flange Nut	8
		<b>H</b> Waterproof Cable*	2

\* For AirMax BaseStation model only

\*\* Products may be different from pictures and are subject to change without prior notice

### Welcome

Thank you for your purchase of this Ubiquiti Networks Sector Antenna. These instructions are for the following models:

- (I) AirMax-5G17
- (II) AirMax-5G16
- (III) MimoSector-5G17
- (IV) MimoSector-5G16

### Tools Required for Mounting

12mm wrench (Qty. 2)

### General Warranty:

UBIQUITI NETWORKS, Inc ("UBIQUITI NETWORKS") represents and warrants that the Products furnished hereunder shall be free from defects in material and workmanship for a period of one (1) year from the date of shipment by UBIQUITI NETWORKS under normal use and operation. UBIQUITI NETWORKS sole and exclusive obligation under the foregoing warranty shall be to repair or replace, at its option, any defective Product that fails during the warranty period. The expense of removal and reinstallation of any item is not included in this warranty.

The foregoing warranty is exclusive and in lieu of all other warranties, express or implied, including the implied warranties of merchantability and fitness for a particular purpose and any warranties arising from a course of dealing, usage or trade practice with respect to the products. Repair or replacement in the manner provided herein shall be the sole and exclusive remedy of Buyer for breach of warranty and shall constitute fulfillment of all liabilities of UBIQUITI NETWORKS with respect to the quality and performance of the Products. UBIQUITI NETWORKS reserves the right to inspect all defective Products (which must be returned by Buyer to UBIQUITI NETWORKS factory freight prepaid).

No Products will be accepted for replacement or repair without obtaining a Return Materials Authorization (RMA) number from UBIQUITI NETWORKS. Products returned without an RMA number will not be processed and will be returned to Buyer freight collect. UBIQUITI NETWORKS shall have no obligation to make repairs or replacement necessitated by catastrophe, fault, negligence, misuse, abuse, or accident by Buyer, Buyer's customers or any other parties. The warranty period of any repaired or replaced. Product shall not extend beyond its original term.

### Warranty Conditions

The foregoing warranty shall apply only if:

- (I) The Product has not been subjected to misuse, neglect or unusual physical, electrical or electromagnetic stress, or some other type of accident.
- (II) No modification, alteration or addition has been made to the Product by persons other than UBIQUITI NETWORKS or UBIQUITI NETWORKS's authorized representatives or otherwise approved by UBIQUITI NETWORKS.
- (III) The Product has been properly installed and used at all times in accordance, and in all material respects, with the applicable Product documentation.

Disclaimer. UBIQUITI NETWORKS does not warrant that the operation of the products is error-free or that operation will be uninterrupted. In no event shall UBIQUITI NETWORKS be responsible for damages or claims of any nature or description relating to system performance, including coverage, buyer's selection of products for buyer's application and/or failure of products to meet government or regulatory requirements.

### Returns

In the unlikely event a defect occurs in this product, please work through the dealer or distributor from which this product was purchased.

### Support

Ubiquiti support engineers are located in the U.S. and in Europe and are dedicated to helping customers resolve software, hardware compatibility, or field issues as quickly as possible.

Internet: [www.ubnt.com](http://www.ubnt.com)

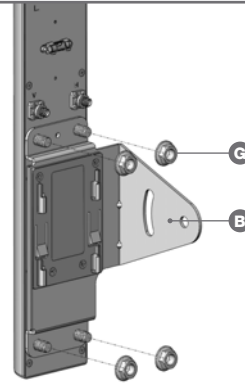
Internet Support Forum: [www.forum.ubnt.com](http://www.forum.ubnt.com)

## 1. Install Antenna L Bracket

Install **B** Antenna L Bracket to the back of the sector antenna by installing:

- G** M8 Serrated Flange Nuts (Qty. 4)

1

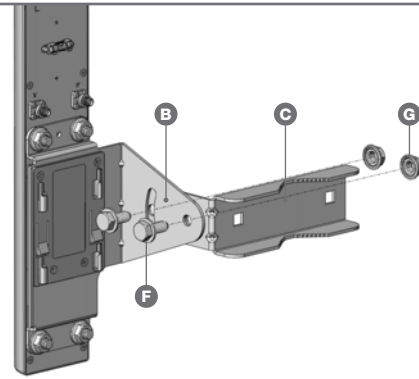


## 2. Install Pole L Bracket

Install **C** Pole L Bracket clamp to **B** Antenna L Bracket by installing:

- F** M8X20 Serrated Flange Bolts (Qty. 2)
- G** M8 Serrated Flange Nuts (Qty. 2)

2

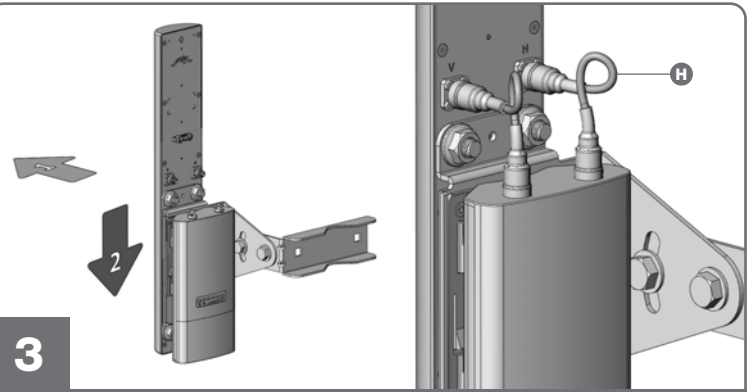


## 3. Install Rocket and Waterproof Cables

Mimo Sector Antenna go to step 4.

- Install Rocket by lining up slots on Rocket/Sector bracket. Slide into place.
- Install **H** Waterproof Cables (Qty. 2) to Rocket/Sector connectors. Rubber boot to be placed over connectors for weatherproofing.

3



## 4. Attach antenna assembly to pole

Mounting bracket can accommodate  $\varnothing$ 1.5"-3" pole.

Install **C** Pole L Bracket clamp to **D** Pole Bracket clamp by installing:

- E** M8X120 Carriage Bolts (Qty. 2)
- G** M8 Serrated Flange Nuts (Qty. 2)

4

