

Ubiquiti TOUGH Cable CARRIER - 1000 ft (TC-CARRIER)



Product Name: Ubiquiti TOUGH Cable CARRIER - 1000 ft (TC-CARRIER)

Manufacturer: Ubiquiti Networks

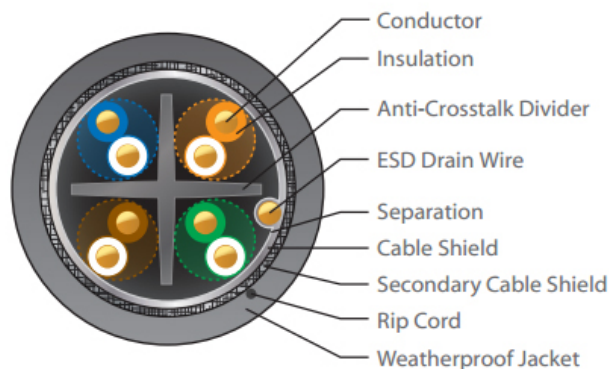
Model Number: TC-CARRIER

Ubiquiti TOUGH Cable CARRIER (TC-CARRIER) - 1000 ft

The Ubiquiti TOUGH Cable CARRIER (TC-CARRIER) is a Category 5e, outdoor, carrier-class shielded cable with an integrated ESD drain wire. Its impressive features provide optimal performance on Gigabit Ethernet networks. Ubiquiti TOUGH Cable CARRIER (TC-CARRIER) Key Features

- Anti-Crosstalk Divider
- Braid Shield
- Foil Shield
- Weatherproof
- Increases Performance Dramatically
- ESD Damage Protection
- Length: 1000 ft

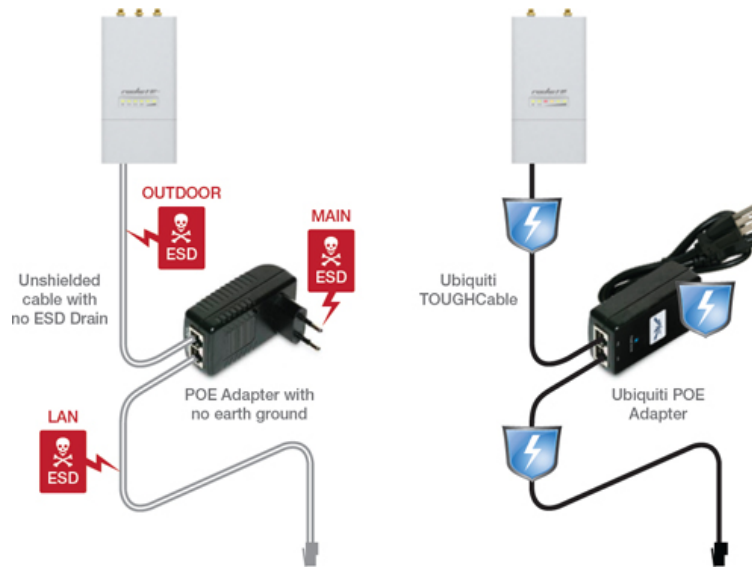
Ubiquiti TOUGH Cable CARRIER is currently available as a Level 1 Shielding Protection, Category 5e, outdoor carrier-class shielded cable.



Protection Against ESD Attacks

ESD attacks are overwhelmingly the leading cause for device failures. The diagram below illustrates the areas vulnerable to ESD attacks in a defenseless network. By using a grounded Ubiquiti Power over Ethernet (PoE) adapter along with Ubiquiti TOUGH Cable and Ubiquiti TOUGH Cable Connectors, you can effectively protect yourself against ESD attacks.

Ubiquiti TOUGH Cable CARRIER - 1000 ft (TC-CARRIER)



Ubiquiti TOUGH Cable CARRIER - 1000 ft (TC-CARRIER)

Ubiquiti TOUGH Cable Connectors Specifically designed for use with Ubiquiti TOUGH Cables and available in 1 or 100 pc. bags, TOUGH Cable Connectors protect against ESD attacks and Ethernet hardware damage while allowing rapid field deployment without soldering.

Available Options:

- Not Required
- 1 pc
- 4 pcs
- 10 pcs
- 20 pcs
- 100 pcs



Please visit the Ubiquiti Firmware page for the latest Firmware upgrades
Ubiquiti TOUGH Cable CARRIER (TC-CARRIER) - Technical Specifications
Cable

- CAT5e, Shielded

Ethernet Support

- Up to 1 Gbps

Conductor Wire Gauge

- 24 AWG

Conductor

- Solid Bare Copper

Conductor Diameter

- 0.500 \pm 0.005 mm

Insulation Type

- Solid PE

Ubiquiti TOUGH Cable CARRIER - 1000 ft (TC-CARRIER)

Insulation Thickness

- AVG: 0.295 mm, MIN: 0.29 mm

Insulation Diameter

- 1.16 ± 0.02 mm

Separation (Polyester Wrapping)

- Thick: 0.025 mm, Extent: 20 mm

Anti-Crosstalk Divider

- LDPE: 4.2*0.3 mm

Cable Shield (Aluminum Foil)

- Thick: 0.060 mm, Extent: 20 mm

ESD Drain Wire

- 0.4 TC

Rip Cord

- Yes

Secondary Cable Shield (Braid)

- 16*8*0.16AA Density: 95%

Jacket Material

- PE

Jacket Thickness

- AVG: 0.52 mm, MIN: 0.46 mm

Jacket Outer Diameter

- 6.8 ± 0.30 mm

Jacket Color

- Gray

Reference Standard

- ISO/IEC 11801, TIA/EIA568B.2

Ubiquiti TOUGHCable CARRIER - 1000 ft (TC-CARRIER)

Price: £149.30
